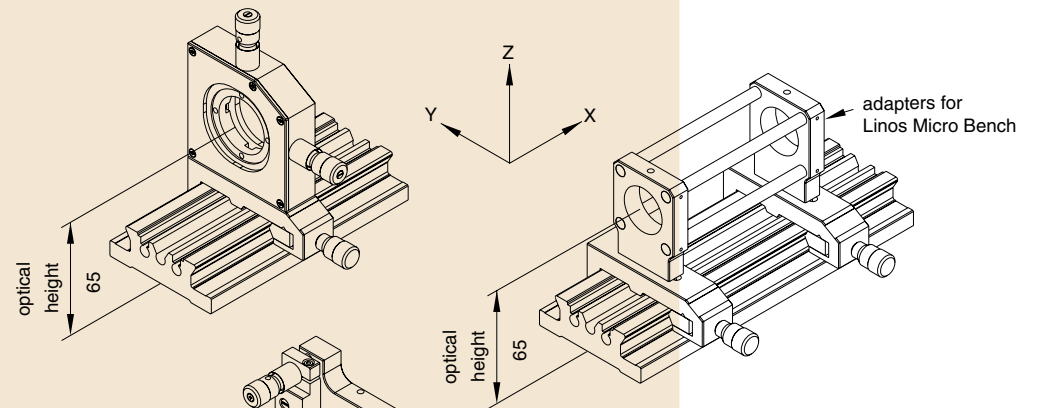


ALBATROS RAIL & CARRIER SYSTEM

For fixed optical axes the system is based on a flat rail-carrier system with "CLICK" mechanism so that the slides can be moved without axial and angular displacement.



ALBATROS 'CLICK & MOVE' SYSTEM

Additionally the slides can be moved precisely by using an additional cog-rail centred in the rail. A common problem is the handling of optics - therefore a special "CLICK" mounting was developed to enable changing or displacing of optics during the experiment without any additional tool.

