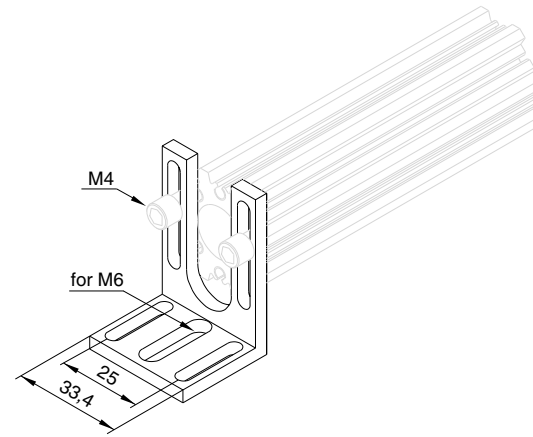




## RIGHT ANGLE ADAPTER MRA

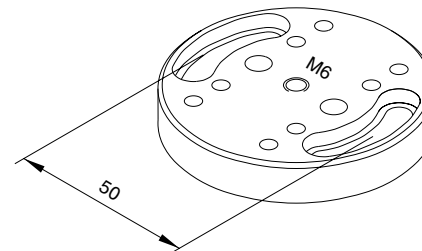
Right angle adaptor to create various horizontal set-ups e.g. on optical tables.



Match Code	Order No.
MRA	3006-9-010

## BASE PLATE MBP

Universal base plate for perpendicular set-ups to an optical bench or table.



Match Code	Order No.
MBP	2541-9-012

