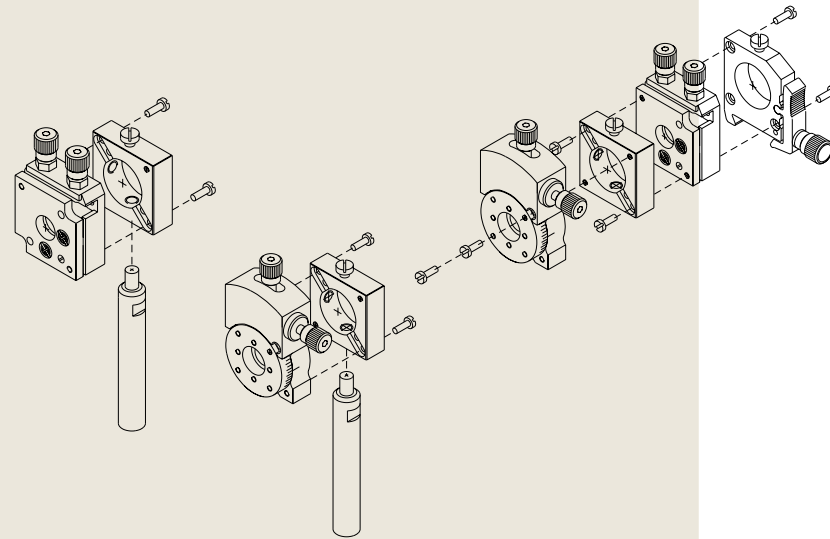


## MOSKITO MULTIFUNCTIONAL COMPONENTS

The basic components like plates or cubes have a standard hole with a diameter of 16 mm. The large range of MOSKITO functional components can be carried with this diameter. In addition a M2 thread pattern in the components helps users to cascade them with the adaptor plate MAP if necessary. Due to this standard holes and drills MOSKITO is very flexible in combination of its components.



## MOSKITO POST MOUNTING SYSTEM

The first basic component is the MOSKITO flat rail. It enables the user to assemble his system in the traditional way flat on a table. The second basic component is the so called octa-rail which makes possible to create optical set-ups if less space is available. The unique octagonal profile gives the user the possibility of placing the components in 45° and 90° intervals around the octa-rail. The results are very compact and long-term stable set-ups at lowest possible space.

