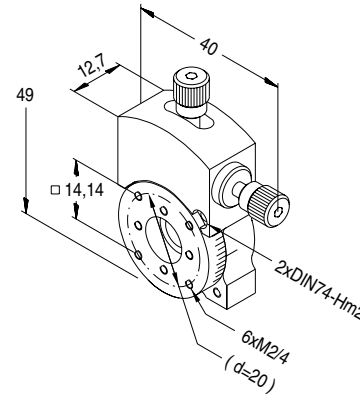




**ROTATION STAGE MRS ASL**

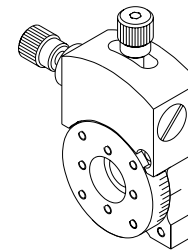
Left version  
 Screw: Fine adjustment  
 Pitch: 0.25 mm  
 Movement:  $\pm 9^\circ$   
 Aperture: 7 mm



Match Code	Order No.
MRS ASL	3012-9-015

**ROTATION STAGE MRS ASR**

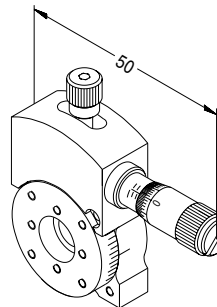
Right version  
 Screw: Fine adjustment  
 Pitch: 0.25 mm  
 Movement:  $\pm 9^\circ$   
 Aperture: 7 mm



Match Code	Order No.
MRS ASR	3012-9-010

**ROTATION STAGE MRS ML**

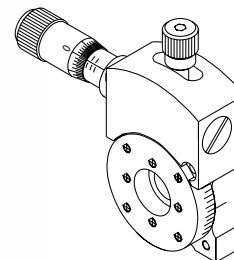
Left version  
 Screw: Micrometer  
 Pitch: 0.25 mm  
 Scale: 0.01 mm = 0.032°  
 Movement:  $\pm 9^\circ$   
 Aperture: 7 mm



Match Code	Order No.
MRS ML	3012-9-025

**ROTATION STAGE MRS MR**

Right version  
 Screw: Micrometer  
 Pitch: 0.25 mm  
 Scale: 0.01 mm = 0.032°  
 Movement:  $\pm 9^\circ$   
 Aperture: 7 mm



Match Code	Order No.
MRS MR	3012-9-020